

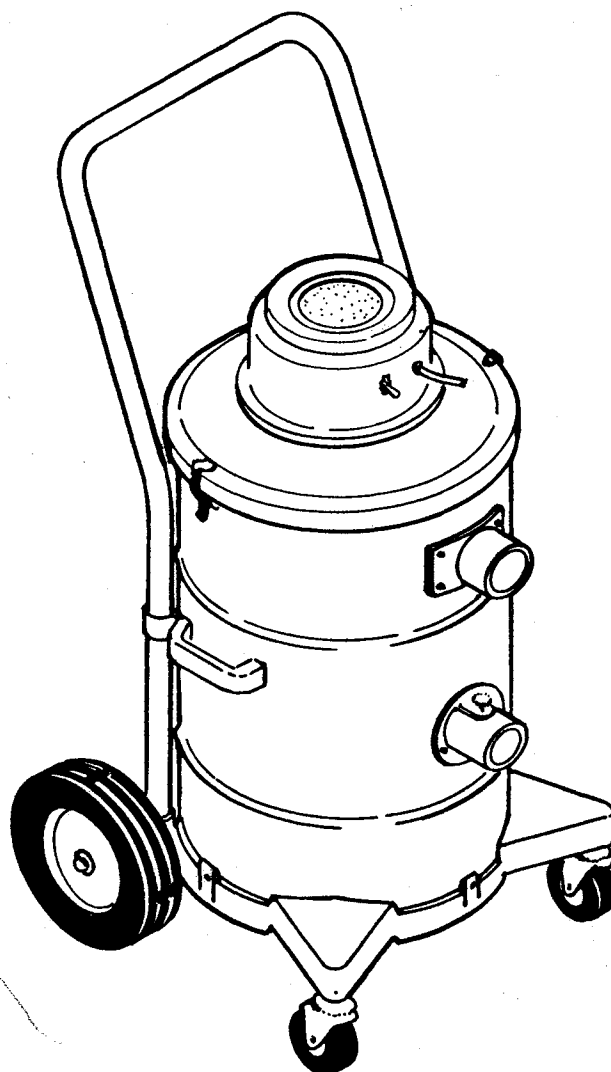
- OPERATION
- SERVICE
- PARTS
- CARE

# **Hako**

**OBSOLETE** **Minuteman**

*ASBESTOS VAC*

**Model No: C26015-01, 03**  
**Asbestos Vacuum**



## TANK/FILTER SET-UP PROCEDURE

Refer to Page 4

1. Fully open the plastic bag and place it down into the tank; #7 on the underside of the intake tube as shown.
2. Take the paper bag that has the cardboard collar attached and open it up by gently pulling the folds apart.
3. You will notice two creases on the top side of the collar; carefully bend the ends down (toward the bag).
4. Insert this bag into the tank and push it to the bottom, taking care not to snag the plastic bag.
5. Locate the cardboard collar around the intake tube and gently work it up past the raised ring that runs around the tube.
6. Push the plastic bag down past the paper bag; position it about 1/2 to 2/3 down past the top of the bag.
7. Take the paper filter protector bag and insert it into the tank and snap the elastic band around the rim of the tank. (About 2 inches of the bag should be outside of the tank.)
8. Place the cloth filter bag onto and into the tank, using the formed rubber gasket as a guide and press down firmly onto the tank rim.
9. Place the formed wire basket into the cloth bag with wire ring towards the bottom of the tank.
10. Position the lid onto the tank, making sure that the gasket of the lid is seated onto the rubber ring of the cloth bag frame completely around the tank.
11. Snap the lid latches into place.

For proper cleaning of tank and removal/changing of filters, see "Procedure for Removing Contaminated Filters and for Cleaning of Contaminated Tank".

## PROCEDURE FOR REMOVING CONTAMINATED FILTERS AND FOR CLEANING OF CONTAMINATED TANK

For the benefit of your health, you should always wear a face mask approved for use with asbestos any time you are using or cleaning this vacuum cleaner. You should also wear gloves.

1. Unplug machine from power source.
2. Carefully and slowly remove lid only (be sure you have not accidentally lifted the cloth filter bag at the same time). Set the lid/filter assembly aside.
3. Gently tap the inside of the cloth bag to loosen any particles that may be on the opposite surface. Do this all around the inside surface of the bag.
4. Gently remove the cloth bag and set aside.
5. Carefully undo the elastic band from around the tank and push the entire bag "slowly" into the tank. Do not allow the elastic band to snap the bag closed.
6. Using a wiping cloth, dampened with water (not soaking wet), wipe down all of the exposed surfaces inside of the tank; put the cloth aside-do not discard.
7. Carefully and "very" slowly, push the paper bag down and off of the intake tube, using the attached cardboard collar. After the collar is removed from the intake tube, take the damp cloth and wipe off any surfaces that were not previously wiped; at this time, rewipe the entire inside of the tank and drop the wiping cloth into the tank.
8. Now reach in and gently pull up and around the paper bag the plastic bag that had been previously inserted. When you have the plastic bag fully extended, "gently" and "slowly" squeeze the bag closed as close to the filled bag as possible in order to avoid trapping excessive air.
9. Gently remove the bag from the tank. Twist the unfilled portion closed and tie it into a knot.
10. CAUTION: Hazardous materials must be disposed of properly. Never throw contaminated debris in your usual trash receptacle. Place debris in a plastic bag or can marked "HAZARDOUS MATERIALS" and take to a hazardous waste handler.
11. For proper assembly of new filters, see "Tank/Filter Set-Up Procedure".

## CHANGING THE PINK IMPACTION PREFILTER

Refer to Item No. 7, Page 5

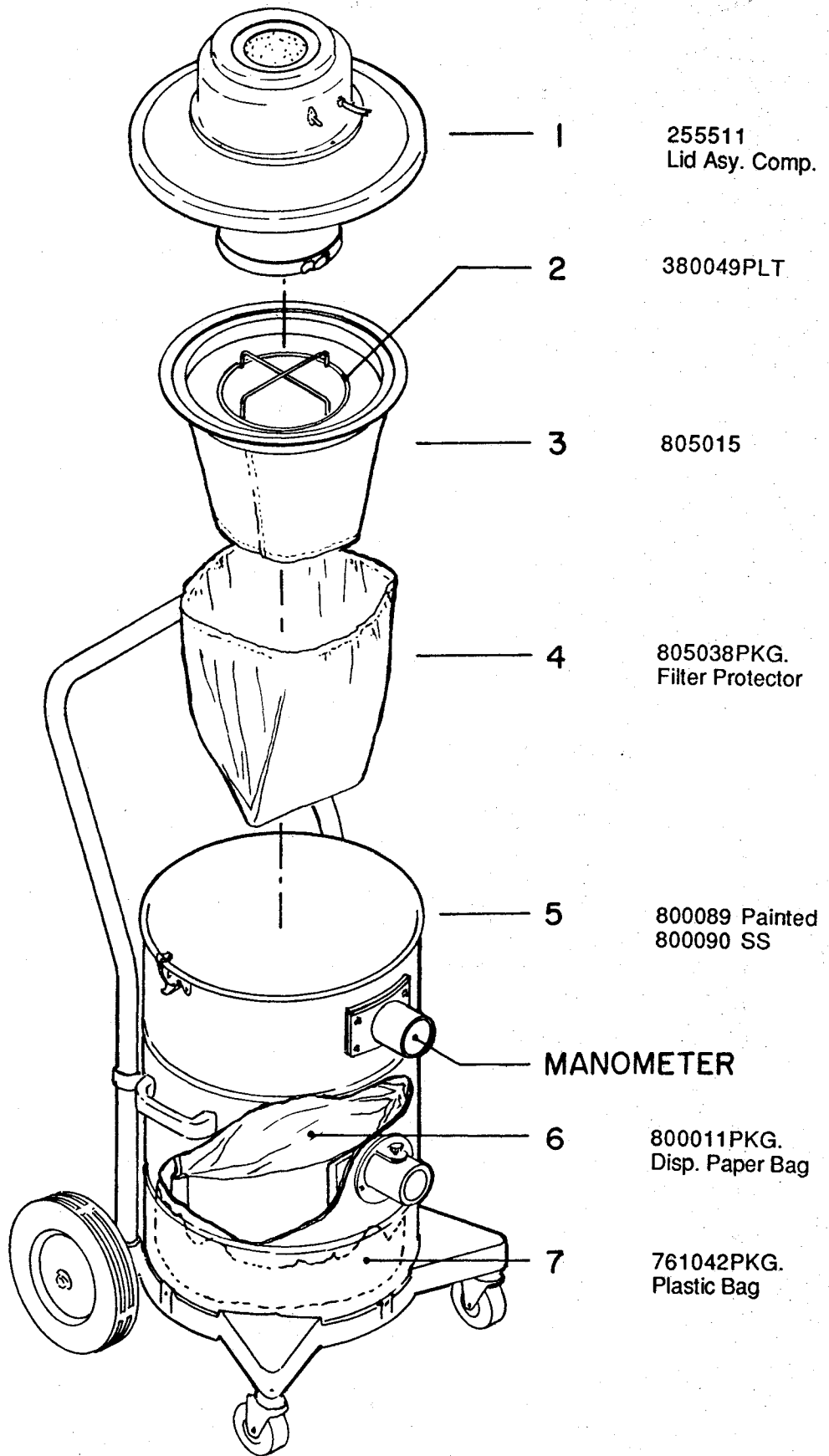
The pink impaction filter should be changed, using all of the precautions previously mentioned.

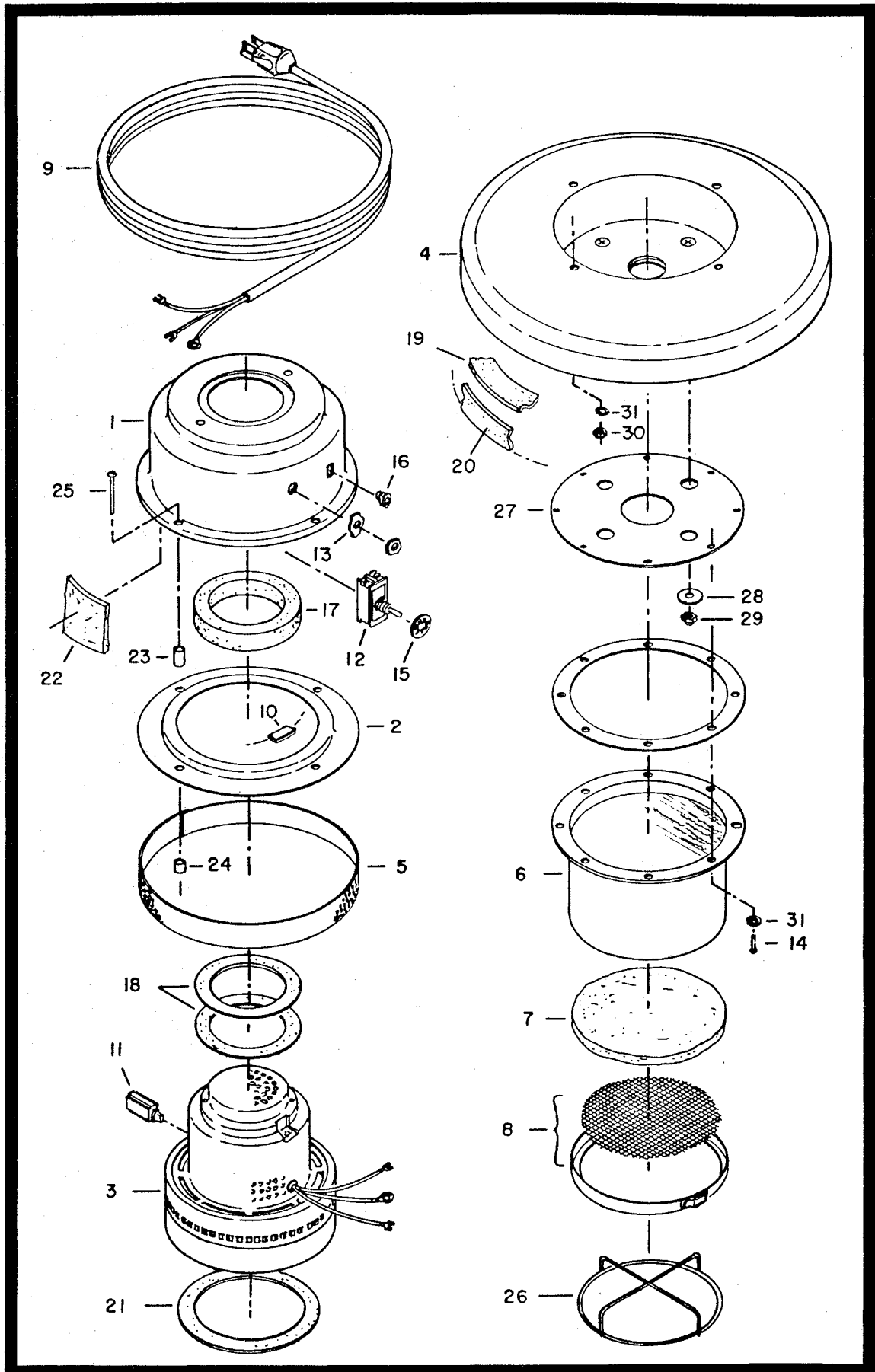
The impaction filter should be changed when any of the following takes place:

1. Anytime there is an indication of a filter tear during normal operation of the unit. This tear could be in any of the filters used.
  - a. paper dust containment bag
  - b. paper bag protector
  - c. cloth filter bagThese tears would show up during the tank clean-out procedure, or....
2. Every other tank clean-out period.

To change the impaction filter, do the following before you do Step #3 of the normal clean-out procedure.

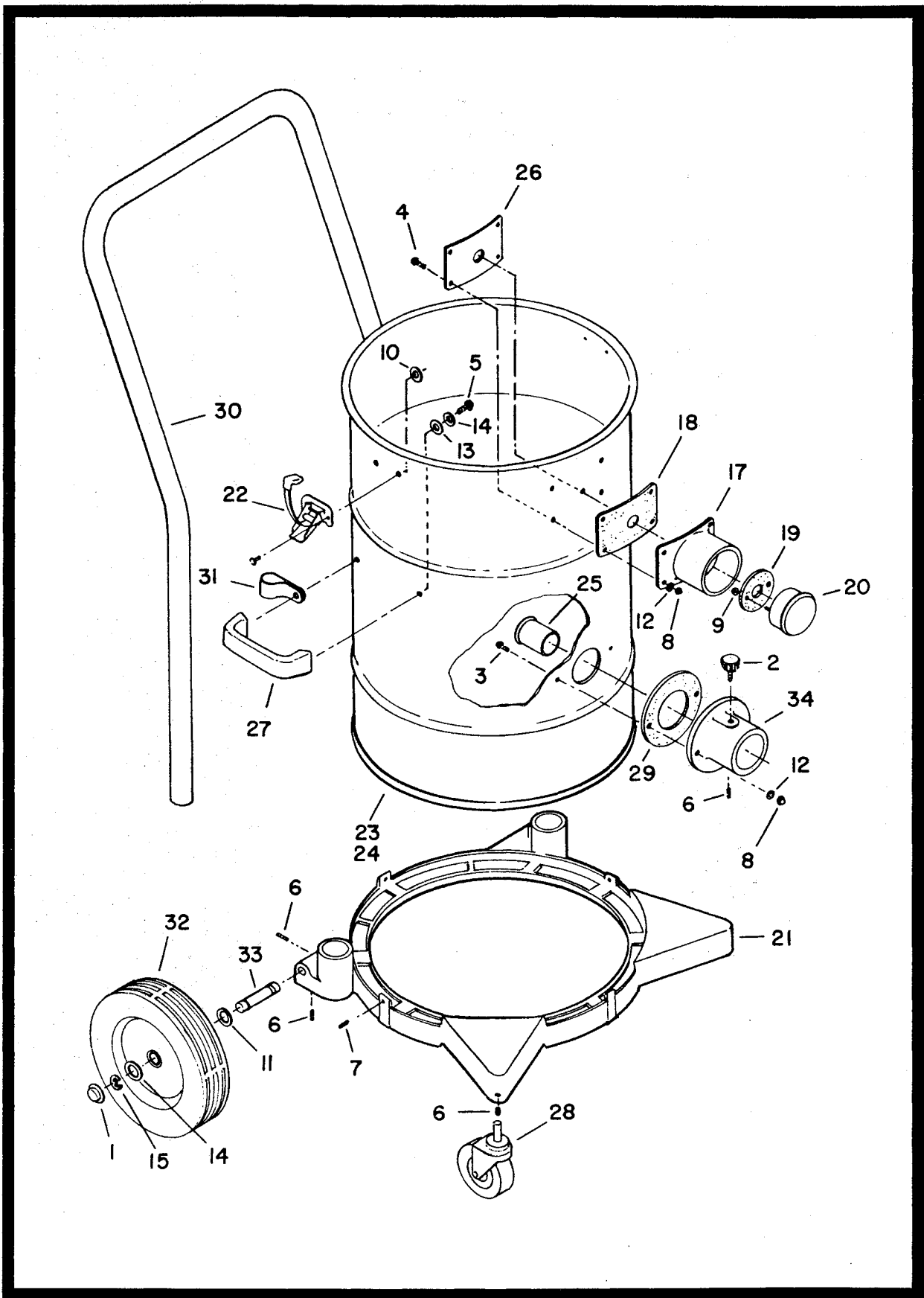
  - a. Wipe down all of the exposed surfaces on the underside of the removed lid, using the dampened wiping cloth (see Step #6).
  - b. Carefully unclamp filter retainer from the side of the filter. Set the retainer aside.
  - c. Remove the impact filter from the high efficiency filter. Be careful so as not to damage or puncture the paper media used in the final filter. Do not attempt to clean the pink impact filter in any way; dispose of by placing it into the tank you are now in the process of cleaning. DO NOT USE ANY TOOLS TO REMOVE THE IMPACT FILTER.
  - d. Before proceeding any further in cleaning the tank, first place a new impact filter (one only) onto the H.E.P.A. filter. Replace the impact retainer and lock it into place by reclamping.
  - e. You may now proceed with Step #3.





## Parts Listings

ITEM NO.	PART NO.	QUANTITY	DESCRIPTION
1	750414	1	Dome Weldment
2	255046PLT	1	Motor Hold Down
3	255039	1	Motor, 120 V
4	750194	1	Lid SS Asy includes Items 19, 20
5	761945	1	Retainer Screen
6	110001	1	H.E.P.A. Filter Round
7	703007PKG	1	Impact Filtr RD Pkg 12
8	750011	1	Retainer Asy
9	381020	1	Cord Set, 16-3 50 Feet
10	255030	1	Gasket Mtr Retainer
11	255008	2	Carbon Brushes/250 Series
12	380002	1	Switch, Toggle 1.5 HP
13	101020	1	Plate, Off/On Indicator
14	710328	8	SCR 8-32 x .37 ST PL
15	711556	1	WSR LOC 1/2 Internal
16	380004	1	Relief, Strain
17	101005	1	Gasket, Rubber
18	250026	2	Gasket, Rubber
19	480052	1	Gasket, RBR .25 x .87 x .50
20	480053	1	Ring, Rubber Locating
21	480049	1	Gasket, Rubber
22	380040	1	Felt, 25 x 2.5 x 25
23	761946	4	Bushing, Long
24	761206	4	Bushing, Short
25	710365	4	SCR-MC 10-32 x 1.5 ST PL
26	380049PLT	1	Frame, Dust Bag Plated
27	110003	1	Mounting Plate
28	711519	4	WSR, Flat 1" OD x .25 ID
29	711373	4	Nut-LOC 1/4-20
30	711310	4	Hex-Nut 10-32 ST PL
31	711543	12	WSR, Helical SPR LOC #10
See Page 4	800011PKG	1	Asbestos Disp Bag Pkg 10
See Page 4	761042PKG	1	15G Asbes Plas Lnr Pkg 50
See Page 4	805038PKG	1	15G Disp Filtr Prot Pkg 12
See Page 4	805015	1	Cloth Bag Asy
			Gasket Bag Asy
			Lid Asy H.E.P.A. Vac 115 V



## Parts Listings

ITEM NO.	PART NO.	QUANTITY	DESCRIPTION
1	130032	2	Cap, Retainer
2	500033	1	Knob
3	710154	2	SCR-MC 10-32 x .50
4	710155	4	SCR-MC 10-32 x .62 ST NI
5	710178	4	SCR-MC 1/4-20 x .50 ST PL
6	711005	5	SCR-SK 1/4-20 x .31
7	711006	4	SCR-SK 1/4-20 x .62
8	711351	6	Nut-Acorn 10-32 ST NI
9	711427	2	Nut-Flanged Wizz 10-32
10	711503	4	WSR-Flat #10
11	711524	2	WSR-WAVE .52 x .87 x .01
12	711553	6	WSR-Internal Lock #10
13	711591	4	WSR-Rubber
14	711594	2	WSR-Flat .56 x .88 x .03 NI
15	711713	2	Retaining Ring-E Ext. .50
16	715077	1	Decal Manometer Ins.
17	760106PTD	1	Casting Gauge Mount PTD
18	760107	2	Gasket Die Cut Square
19	760108	1	Gasket Die Cut Round
20	760109	1	Gauge Manometer Low
21	760984PTD	1	BKT, Wheel
22	761054	2	Latch
23	800093	1	Tnk 15G PTD w/Low Intake
24	800105	1	Tnk 15G SS w/Low Intake
25	800106	1	Intake Tube Low Intake
26	800112	1	Backing Plate Manometer
27	900031POL	2	Handle, Tank Polished
28	900033	2	Caster, Swivel
29	900036	1	Gasket
30	900037PLT	1	Handle, Plated Common
31	900038	2	Clamp, Handle
32	900040	2	Wheel
33	900066	2	Axle
34	900113POL	1	Intake Polished Lo Intake